

UNICARRIERS[®]

FORKLIFT

Engine Powered Forklifts

Diesel

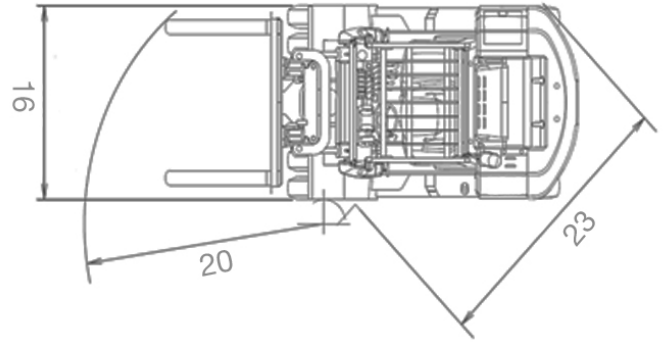
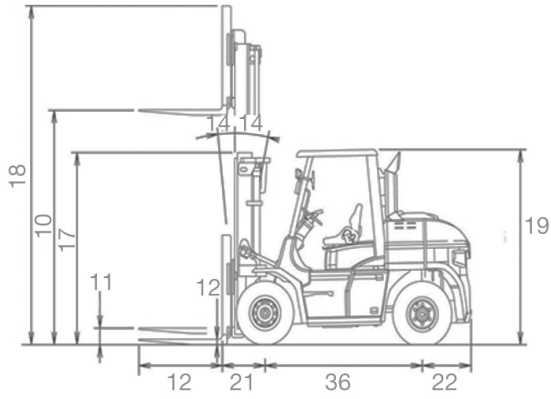
13,000 / 15,500 / 17,500 / 22,000 lbs. Capacities | Pneumatic Tire



P D 6 Series SPECIFICATIONS

MAIN TRUCK SPECIFICATIONS						
CHARACTERISTICS	1		UNICARRIERS			
	2		FD60-4L	FD60-4		
	3		PFD135L	PFD135		
CHARACTERISTICS	4	Load Capacity	lbs (kg)	13,000 (6000)	13,000 (6000)	
	5	Load Center	in (mm)	24 (600)	24 (600)	
	6	Power Type		Diesel	Diesel	
	7	Operator Position		Sit Down Rider Type	Sit Down Rider Type	
	8	Tire Type	Front / Rear	Pneumatic	Pneumatic	
	9	Wheels (x=driven)	Front / Rear	4x / 2	4x / 2	
	DIMENSIONS	10	Maximum fork height	in (mm)	118 (3000)	118 (3000)
		11	Free lift	in (mm)	8.1 (205)	8.1 (205)
		12	Fork Size	LxWxT	48.0x5.9x2.4 (1220x150x60)	48.0x5.9x2.4 (1220x150x60)
13		Fork Spread (outside)	Max/Min	72.0/11.8 (1830/300)	72.0/11.8 (1830/300)	
14		Tilt Angle	Fwd./Bkwd.	deg	6/12	
15		Length to fork face		in (mm)	141.1 (3585)	
16		Overall width		in (mm)	78.9 (2005)	
17		Mast Height Fork Lowered		in (mm)	98.4 (2500)	
18		Mast Height Fork Raised		in (mm)	174.0 (4420)	
19		Overall Height (overhead guard)		in (mm)	100.4 (2550)	
20		Turning Radius (outside)		in (mm)	133.9 (3400)	
21		Load Distance (Centerline of Front Axle to Front Face of Forks)		in (mm)	615 (24.2)	
22		Rear Overhang		in (mm)	670 (26.4)	
23	Basic Right Angle Stacking Aisle Width		in (mm)	5250 (206.7)		
PERFORMANCE	24	Speed	Travel Max	loaded/unloaded	km/h (mph)	
	25		Lifting	loaded/unloaded	mm/s(fpm)	
	26		Lowering	loaded/unloaded	mm/s(fpm)	
	27	Max Drawbar pull	Full/No Load		kN(klbs)	
	28	Max Gradeability*	Full Load (at 10mph)		%	
	29		No Load		%	
WEIGHT	30	Total Weight		lbs (kg)	18982 (8610)	
	31	Weight Distribution	Full Load	Front/Rear	lbs (kg)	
	32		No Load	Front/Rear	lbs (kg)	
CHASSIS & WHEELS	33	Tires	Number /	Front/Rear		
	34		Size	Front		
	35			Rear		
	36	Wheelbase			in (mm)	
	37	Tread		Front	in (mm)	
	38			Rear	in (mm)	
	39	Backrest Height			in (mm)	
	40	Overhead Guard Clearance			in (mm)	
	41	Counterweight Height			in (mm)	
	42	Drawbar Pin Center Height			in (mm)	
	43	Floor Height			in (mm)	
	44	Underclearance	Min. Full Load		in (mm)	
	45		Center of Wheelbase		in (mm)	
	46	Brake	Service (Foot)			
47		Parking				
DRIVE LINE	48	Battery	Voltage/Capacity(5HR)	V/AH	12/70x2	
	49	Internal Combustion	Make-Model		KUBOTA-V3800	
	50	Engine	Rated Output/rpm	Hp/rpm	74/2200 SAE GROSS	
	51			kW/rpm	55/2200 SAE GROSS	
	52			PS/rpm	74.3/2200 SAE GROSS	
	53		Max Torque/r.p.m	N-m/rpm	310/1500	
	54			kgf-m/rpm	31.7/1500	
	55			lb-ft/rpm	229/1500	
	56		Number of Cylinder		4	
	57		Displacement	lit(cu-in)	3.769 (230)	
	58		Alternator Output	Amp	115	
	59		Fuel Tank Capacity	lit(US gal)	150 (39.6)	
	60		Type		Automatic Power Shift	
61	Transmission	Stage-Fwd-Rvs.		2-2		
62	Operating Pressure	For attachments	MPa(psi)	20.6 (2988)		

MAST SPECIFICATIONS & RATED CAPACITIES / FD60

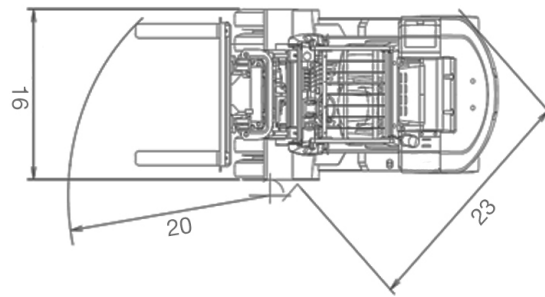
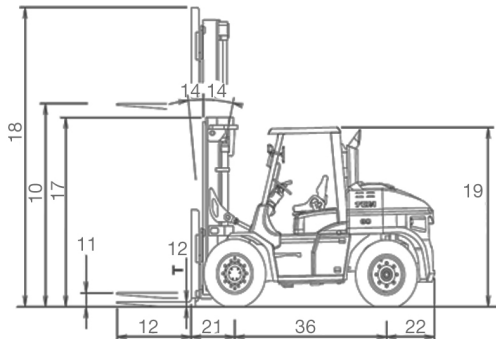


MAST SPECIFICATIONS & RATED CAPACITIES

VM - Wide View Mast	MAST MODEL	Load Capacity lbs (kg)	Max Fork Height in (mm)	Overall Mast Height Lowered in (mm)	Overall Mast Height Raised in (mm)	Tilting Angle F/B	Service Weight (Based on VM300) lbs (kg)
	VM300	13,230 (6,000)	118 (3,000)	98.5 (2,500)	174 (4,420)	6-12 (6-10)	0
	VM330	13,230 (6,000)	130 (3,300)	104.4 (2,650)	185.8 (4,720)	6-12 (6-10)	+110 (50)
	VM350	13,230 (6,000)	138 (3,500)	108.3 (2,750)	193.7 (4,920)	6-12 (6-10)	+176 (80)
	VM400	13,230 (6,000)	157 (4,000)	120.1 (3,050)	213.4 (5,420)	6-12 (6-10)	+595 (270)
	VM450	13,230 (6,000)	177 (4,500)	130 (3,300)	233.1 (5,920)	6-12 (6-10)	+794 (360)
	VM500	13,230 (6,000)	197 (5,000)	139.8 (3,550)	252.8 (6,420)	6-6	+948 (430)
	VM550	12,570 (5,700)	216 (5,500)	151.6 (3,850)	272.4 (6,920)	3-6	+1389 (630)
	VM600	11,910 (5,400)	236 (6,000)	161.5 (4,100)	292.1 (7,420)	3-6	+1566 (710)

MAIN TRUCK SPECIFICATIONS

				UNICARRIERS				
CHARACTERISTICS	1			FD70-4L	FD70-4	FD80-4	FD100-4	
	2			PFD155L	PFD155	PFD175	PFD220	
	3							
CHARACTERISTICS	4	Load Capacity	lbs (kg)	15500 (7000)	15500 (7000)	17500 (8000)	22000 (10000)	
	5	Load Center	in (mm)	24 (600)	24 (600)	24 (600)	24 (600)	
	6	Power Type		Diesel	Diesel	Diesel	Diesel	
	7	Operator Position		Sit Down Rider Type	Sit Down Rider Type	Sit Down Rider Type	Sit Down Rider Type	
	8	Tire Type	Front / Rear	Pneumatic	Pneumatic	Pneumatic	Pneumatic	
	9	Wheels (x=driven)	Front / Rear	4x /2	4x/2	4x/2	4x/2	
	DIMENSIONS	10	Maximum fork height	in (mm)	118 (3000)	118 (3000)	118 (3000)	118 (3000)
		11	Free lift	in (mm)	8.5 (215)	8.5 (215)	8.1 (205)	8.1 (205)
		12	Fork Size	LxWxT	1220x150x70 (48.0x5.9x2.8)	1220x150x70 (48.0x5.9x2.8)	220x180x75 (48.0x7.1x3.0)	220x180x75 (48.0x7.1x3.0)
13		Fork Spread (outside)	Max/Min	1830/300 (72.0/11.8)	1830/300 (72.0/11.8)	2000/360 (75.0/14.1)	2145/405 (84.0/15.9)	
14		Tilt Angle	Fwd./Bwd.	deg	6/12	6/12	6/12	
15		Length to fork face	in (mm)	143.9 (3655)	143.9 (3655)	158.5 (4025)	4265 (167.9)	
16		Overall width	in (mm)	78.9 (2005)	78.9 (2005)	85.6 (2175)	2245 (88.4)	
17		Mast Height Fork Lowered	in (mm)	98.4 (2500)	98.4 (2500)	110.2 (2800)	2850 (112.2)	
18		Mast Height Fork Raised	in (mm)	174.0 (4420)	174.0 (4420)	174.0 (4420)	4330 (170.5)	
19		Overall Height (overhead guard)	in (mm)	100.4 (2550)	100.4 (2550)	104.7 (2660)	104.7 (2660)	
20		Turning Radius (outside)	in (mm)	136.2 (3460)	136.2 (3460)	146.1 (3710)	3950 (155.5)	
21		Load Distance (Centerline of Front Axle to Front Face of Forks)	in (mm)	24.6 (625)	24.6 (625)	28.3 (720)	715 (28.1)	
22		Rear Overhang	in (mm)	28.7 (730)	28.7 (730)	31.7 (805)	750 (29.5)	
23		Basic Right Angle Stacking Aisle Width	in (mm)	210.6 (5350)	210.6 (5350)	222.4 (5650)	5900 (232.3)	
PERFORMANCE	24	Speed	Travel Max loaded/unloaded	km/h(mph)	21 (13.0) / 25 (15.5)	25 (15.5) / 28 (17.4)	24 (14.9) / 28 (17.4)	24 (13) / 27 (16.8)
	25		Lifting loaded/unloaded	mm/s(fpm)	395 (77.8) / 440 (86.6)	530 (104.3) / 550 (108.3)	440 (86.6) / 460 (90.6)	350 (68.9) / 370 (72.8)
	26		Lowering loaded/unloaded	mm/s(fpm)	450 (86.6) / 500 (98.4)	450 (86.6) / 500 (98.4)	450 (86.6) / 450 (88.6)	450 (88.6) / 350 (68.9)
	27	Max Drawbar pull	Full/No Load	kN(klbs)	49 (21.6) / 11(4.9)	54.9 (21.6) / 12.3 (4.9)	59.8 (27.5) / 13.5 (6.2)	63.7 (31.4) / 14.3 (7.1)
	28	Max Gradeability*	Full Load (at 10mph)	%	24	28	25	21
	29		No Load	%	20	20	20	20
WEIGHT	30	Total Weight	lbs(kg)	18962 (8610)	21032 (9540)	25375 (11510)	28462 (12910)	
	31	Weight Distribution	Full Load Front / Rear	lbs(kg)	32254 (14630) / 4079 (1850)	32276 (14640) / 4189 (1900)	38272 (17360) / 4740 (2150)	45548 (20660) / 4960 (2250)
	32		No Load Front / Rear	lbs(kg)	8598 (3900) / 12302 (5580)	8620 (3910) / 12412 (5630)	11332 (5140) / 14044 (6370)	13184 (5980) / 15278 (6930)
CHASSIS & WHEELS	33	Tires	Number Front/Rear		4/2	4/2	4/2	
	34		Size Front		8.25-15-14PR	8.25-15-14PR	9.00-20-14PR	
	35		Size Rear		8.25-15-14PR	8.25-15-14PR	9.00-20-14PR	
	36	Wheelbase	in (mm)	90.6 (2300)	90.6 (2300)	98.4 (2500)	98.4 (2800)	
	37	Tread	Front	in (mm)	57.9 (1470)	57.9 (1470)	63.0 (1600)	
	38		Rear	in (mm)	66.9 (1700)	66.9 (1700)	66.9 (1700)	
	39	Backrest Height	in (mm)	53.5 (1360)	53.5 (1360)	53.3 (1355)	--	
	40	Overhead Guard Clearance	in (mm)	44.5 (1130)	44.5 (1130)	44.5 (1130)	44.5 (1130)	
	41	Counterweight Height	in (mm)	67.7 (1720)	67.7 (1720)	71.7 (1820)	71.7 (1820)	
	42	Drawbar Pin Center Height	in (mm)	20.5 (520)	20.5 (520)	23.6 (600)	23.2 (590)	
	43	Floor Height	in (mm)	38.4 (975)	38.4 (975)	42.3 (1075)	42.3 (1075)	
	44	Underclearance	Min. Full Load	in (mm)	7.9 (200)	7.9 (200)	9.4 (240)	
	45		Center of Wheelbase	in (mm)	8.9 (225)	8.9 (225)	11.4 (290)	
	46	Brake	Service (Foot)		Hydraulic-Foot Pedal	Hydraulic-Foot Pedal	Hydraulic-Foot Pedal	
47		Parking		Mechanical-Hand lever	Mechanical-Hand lever	Mechanical-Hand lever		
DRIVE LINE	48	Battery	Voltage/Capacity(5HR)	V/AH	12/70x2	12/70x2	12/70x2	
	49	Internal Combustion	Make-Model		KUBOTA - V3800	KUBOTA - V3800	KUBOTA - V3800	
	50	Engine	Rated Output/rpm	Hp/rpm	74/2200 SAE GROSS	111/2400 SAE GROSS	111/2400 SAE GROSS	
	51			kW/rpm	55/2200 SAE GROSS	83/2400 SAE GROSS	83/2400 SAE GROSS	
	52			PS/rpm	74.3/2200 SAE GROSS	112.8/2400 SAE GROSS	112.8/2400 SAE GROSS	
	53		MaxTorque/r.p.m	N-m/rpm	310 / 1500	385 / 1500	385 / 1500	
	54			kgf-m/rpm	31.7 / 1500	39.3 / 1500	39.3 / 1500	
	55			lb-ft/rpm	229 / 1500	284 / 1500	284 / 1500	
	56		Number of Cylinder		4	4	4	
	57		Displacement	lit(cu-in)	3.769 (230)	3.769 (230)	3.769 (230)	
	58		Alternator Output	Amp	115	115	115	
	59		Fuel Tank Capacity	lit(US gal)	150 (39.6)	150 (39.6)	150 (39.6)	
	60		Type		Automatic Power Shift	Automatic Power Shift	Automatic Power Shift	
	61	Transmission	Stage-Fwd-Rvs.		2-2	2-2	2-2	
	62	Operating Pressure	For attachments	MPa(psi)	20.6 (2988)	20.6 (2988)	20.6 (2988)	



MAST SPECIFICATIONS & RATED CAPACITIES / FD70

VM - Wide View Mast	Mast Model	Load Capacity lbs (kg)	Overall Mast Height in (mm)	Overall Mast Height Lowered in (mm)	Overall Mast Height Raised in (mm)	Tilting Angle F/B	Service Weight (Based on VM300) lbs (kg)
	VM300	15,435 (7000)	118 (3,000)	98.5 (2,500)	174 (4,420)	6-12 (6-10)	0
	VM330	15,435 (7000)	130 (3,300)	104.4 (2,650)	185.5 (4,720)	6-12 (6-10)	+110 (50)
	VM350	15,435 (7000)	138 (3,500)	108.3 (2,750)	193.7 (4,920)	6-12 (6-10)	+176 (80)
	VM400	15,435 (7000)	157 (4,000)	120.1 (3,050)	213.4 (5,420)	6-12 (6-10)	+595 (270)
	VM450	15,435 (7000)	177 (4,500)	130 (3,300)	233.1 (5,920)	6-12 (6-10)	+794 (360)
	VM500	15,435 (7000)	197 (5,000)	139.8 (3,550)	252.8 (6,420)	6-6	+948 (430)
	VM550	14,550 (6,600)	216 (5,500)	151.6 (3,850)	272.4 (6,920)	3-6	+1389 (630)
VM600	14,110 (6,400)	236 (6,000)	161.5 (4,100)	292.1 (7,420)	3-6	+1566 (710)	

MAST SPECIFICATIONS & RATED CAPACITIES / FD80

VM-Wide View Mast	Mast Model	Load Capacity lbs (kg)	Max Fork Height in (mm)	Overall Mast Height Lowered in (mm)	Overall Mast Height Raised in (mm)	Tilting Angle F/B	Service Weight (Based on VM300) lbs (kg)
	VM300	17,640 (8,000)	118 (3,000)	110.2 (2,800)	174 (4,420)	6-12	0
	VM330	17,640 (8,000)	130 (3,300)	116.1 (2,950)	185.8 (4,720)	6-12	+132 (60)
	VM350	17,640 (8,000)	138 (3,500)	120.1 (3,050)	193.7 (4,920)	6-12	+221 (100)
	VM400	17,640 (8,000)	157 (4,000)	131.9 (3,350)	213.4 (5,420)	6-12	+750 (340)
	VM450	17,640 (8,000)	177 (4,500)	141.7 (3,600)	233.1 (5,920)	6-12	+948 (430)
	VM500	17,090 (7,750)	197 (5,000)	151.6 (3,850)	252.8 (6,420)	6-6	+1147 (520)
	VM550	16,320 (7,400)	216 (5,500)	163.4 (4,150)	272.4 (6,920)	3-6	+1676 (760)
VM600	15,435 (7,000)	236 (6,000)	173.2 (4,400)	292.1 (7,420)	3-6	+1874 (850)	

MAST SPECIFICATIONS & RATED CAPACITIES / FD100

VM - Wide View Mast	Mast Model	Load Capacity lbs (kg)	Max. Fork Height in (mm)	Overall Mast Height Lowered in (mm)	Overall Mast Height Raised in (mm)	Tilting Angle F/B	Service Weight (Based on VM300) lbs (kg)
	VM300	22050 (10,000)	118 (3,000)	112.2 (2,850)	170.5 (4,330)	6-12	0
	VM330	22050 (10,000)	130 (3,300)	118.1 (3,000)	182.3 (4,630)	6-12	+132 (60)
	VM350	22050 (10,000)	138 (3,500)	122 (3,100)	190.2 (4,830)	6-12	+243 (110)
	VM400	22050 (10,000)	157 (4,000)	133.9 (3,400)	209.8 (5,330)	6-12	+794 (360)
	VM450	22050 (10,000)	177 (4,500)	143.7 (3,650)	229.5 (5,830)	6-12	+1014 (460)
	VM500	22050 (10,000)	197 (5,000)	153.5 (3,900)	249.2 (6,330)	6-6	+1257 (570)
	VM550	19,845 (9,000)	216 (5,500)	165.4 (4,200)	268.9 (6,830)	3-6	+1808 (820)
VM600	17,640 (8,000)	236 (6,000)	175.2 (4,450)	288.6 (7,330)	3-6	+2029 (920)	

UniCarriers® is a registered trademark of UniCarriers Corporation. UniCarriers Americas Corporation reserves the right to make product changes relating to colors, equipment, specifications or available options without notice. For more information, contact your UniCarriers representative.

